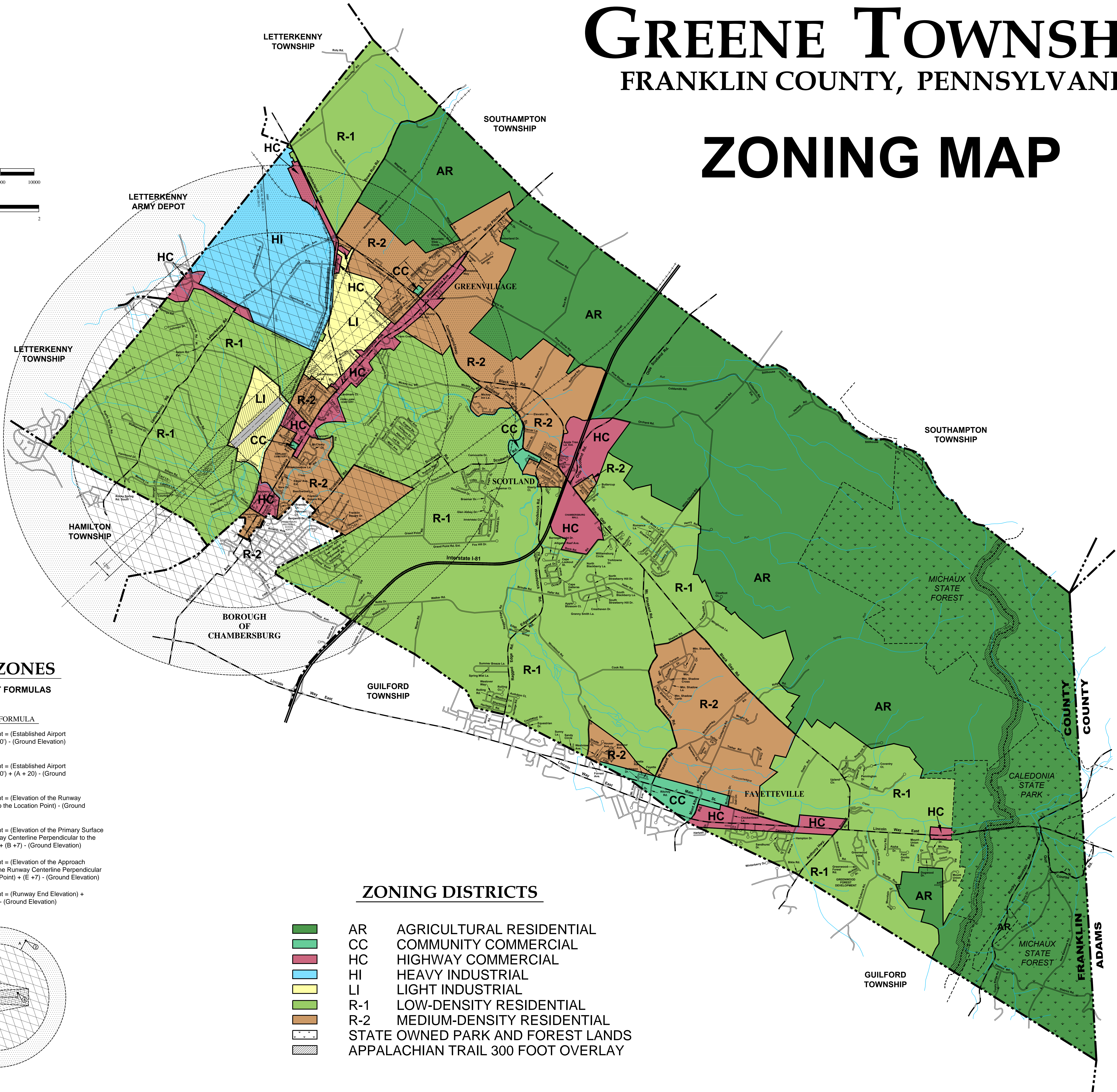
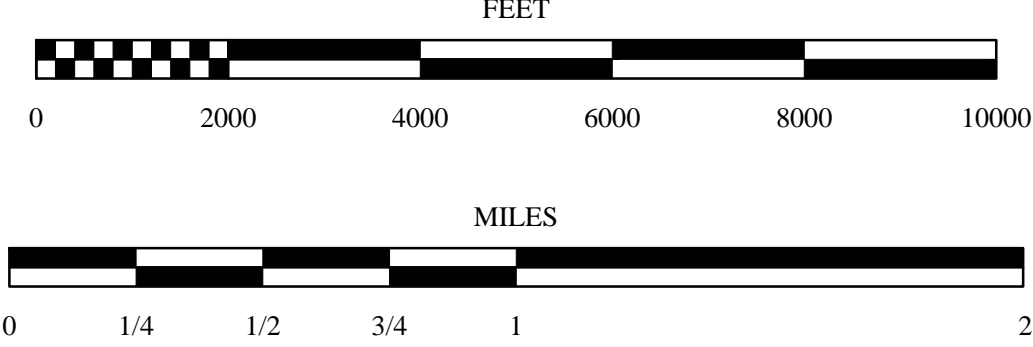
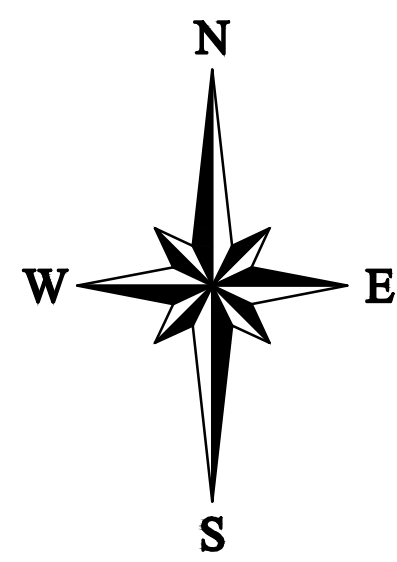


GREENE TOWNSHIP

FRANKLIN COUNTY, PENNSYLVANIA

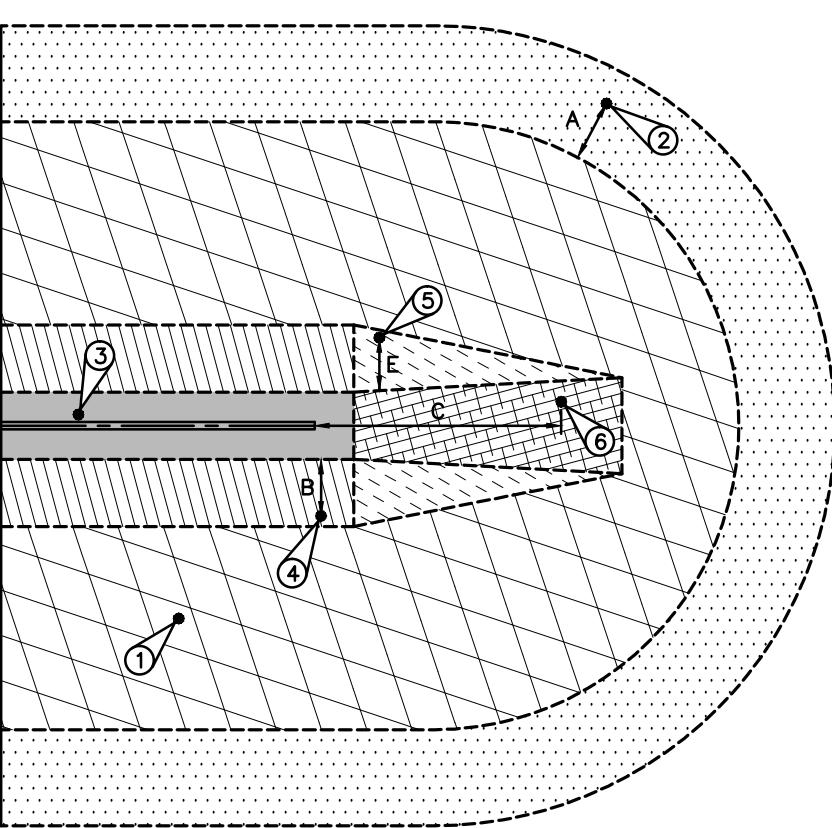
ZONING MAP



AIRPORT ZONES

ALLOWABLE HEIGHT FORMULAS

LOCATION ZONE	FORMULA
1 Horizontal Surface	Allowable Height = (Established Airport Elevation) + (150') - (Ground Elevation)
2 Conical Surface	Allowable Height = (Established Airport Elevation) + (150') + (A + 20) - (Ground Elevation)
3 Primary Surface	Allowable Height = (Elevation of the Runway Perpendicular to the Location Point) - (Ground Elevation)
4 Transitional Surface	Allowable Height = (Elevation of the Primary Surface along the Runway Centerline Perpendicular to the Location Point) + (B + 7) - (Ground Elevation)
5 Transitional Surface	Allowable Height = (Elevation of the Approach Surface along the Runway Centerline Perpendicular to the Location Point) + (E + 7) - (Ground Elevation)
6 Approach Surface	Allowable Height = (Runway End Elevation) + ((C - 200) + 20) - (Ground Elevation)



ZONING DISTRICTS

AR	AGRICULTURAL RESIDENTIAL
CC	COMMUNITY COMMERCIAL
HC	HIGHWAY COMMERCIAL
HI	HEAVY INDUSTRIAL
LI	LIGHT INDUSTRIAL
R-1	LOW-DENSITY RESIDENTIAL
R-2	MEDIUM-DENSITY RESIDENTIAL
	STATE OWNED PARK AND FOREST LANDS
	APPALACHIAN TRAIL 300 FOOT OVERLAY

PENNSYLVANIA
 FRANKLIN COUNTY
 GREENE TOWNSHIP
 BOARD OF SUPERVISORS
 ZONING MAP
 1

1145 Currier Lane • P.O. Box 214
 Northampton, Pennsylvania 17858-0214
 Telephone: 717.265.5700
 Fax: 717.265.4991
 E-mail: greene@psnet.net
 Website: www.townshipofgreene.com

REVISIONS
 NO. DATE DESCRIPTION
 1 10/18/2011 T = 2000' Zoning Map

DRAWN: TD
 CHECK: Zoning Map

TOTAL DWGS: 1